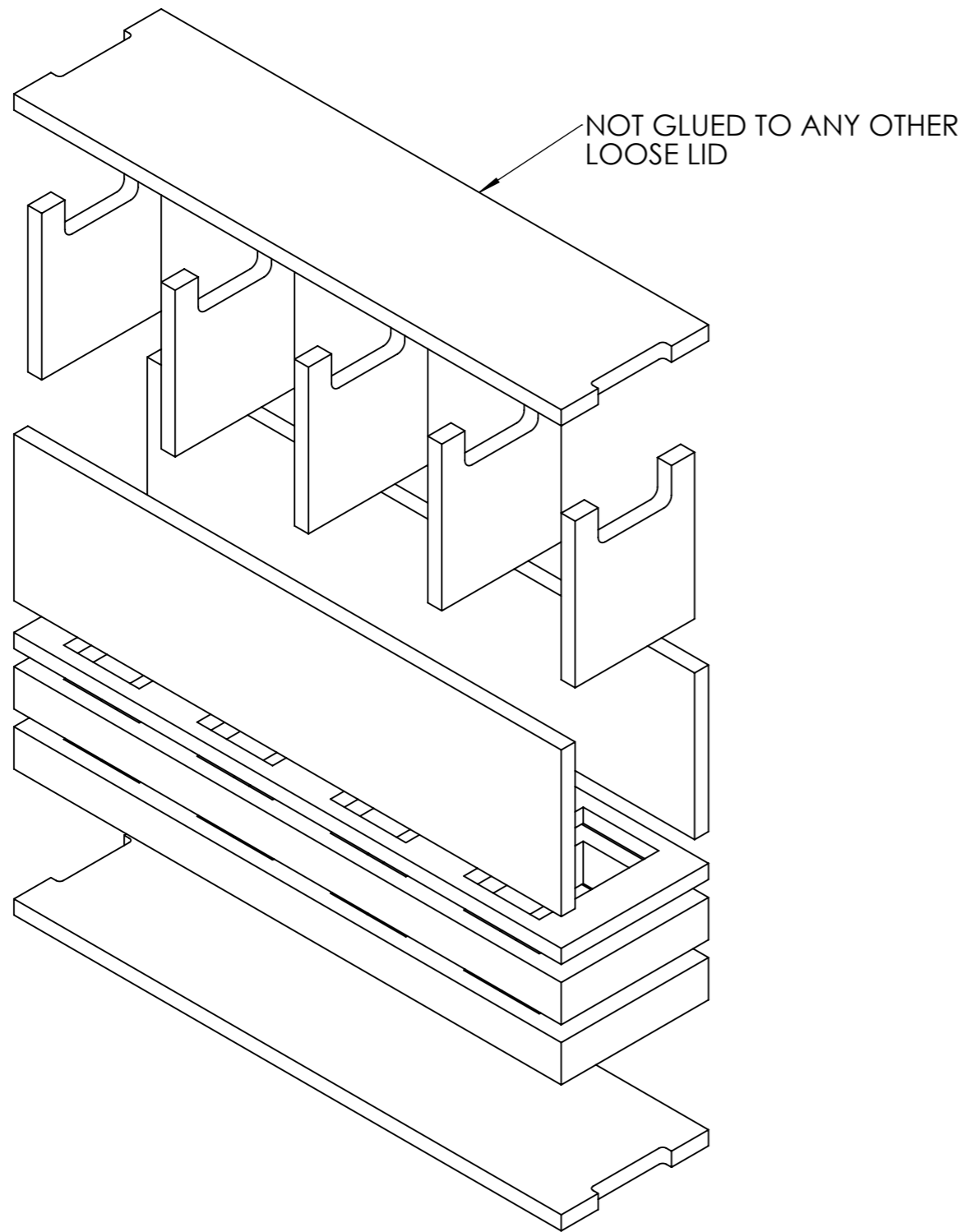


UNLESS OTHERWISE SPECIFIED: DIMENSIONS ARE IN MILLIMETERS SURFACE FINISH: TOLERANCES: LINEAR: ANGULAR:				FINISH: NATURAL/WHITE		DEBUR AND BREAK SHARP EDGES		DO NOT SCALE DRAWING		REVISION	
DRAWN				SIGNATURE		DATE		TITLE: FOAM FOR QUBE ASSEMBLY			
CHK'D											
APPV'D											
MFG											
Q.A								MATERIAL: PLASTAZOTE LD33		DWG NO: CB-FQUBE-ASS.001	
								WEIGHT:		SCALE:1:5	
										SHEET 1 OF 2	
										A3	



CB-FQUBE-001
(LID)

CB-FQUBE-004

2 X CB-FQUBE-005

CB-FQUBE-003

2 X CB-FQUBE-002

CB-FQUBE-001

ALL PARTS
APART FROM
LID TO BE
GLUED
TOGETHER

UNLESS OTHERWISE SPECIFIED: DIMENSIONS ARE IN MILLIMETERS SURFACE FINISH: TOLERANCES: LINEAR: ANGULAR:				FINISH: NATURAL/WHITE		DEBUR AND BREAK SHARP EDGES		DO NOT SCALE DRAWING		REVISION	
						TITLE:					
						FOAM FOR QUBE ASSEMBLY					
DRAWN						MATERIAL:					
CHK'D						PLASTAZOTE LD33 WHITE					
APPV'D						DWG NO:					
MFG						CB-FQUBE-ASS.001					
Q.A						SCALE:1:5					
						WEIGHT:					
						SHEET 2 OF 2					
						A3					