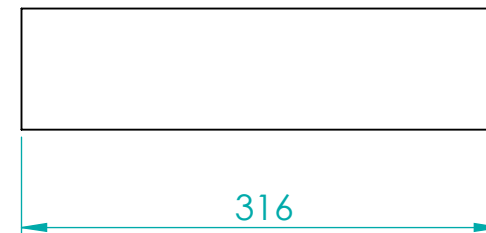
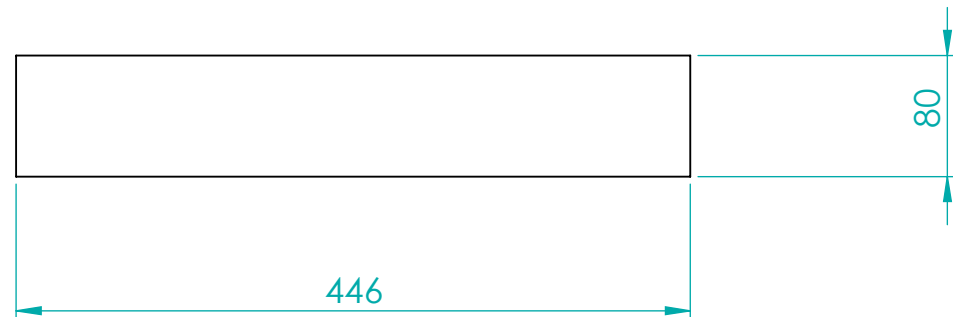
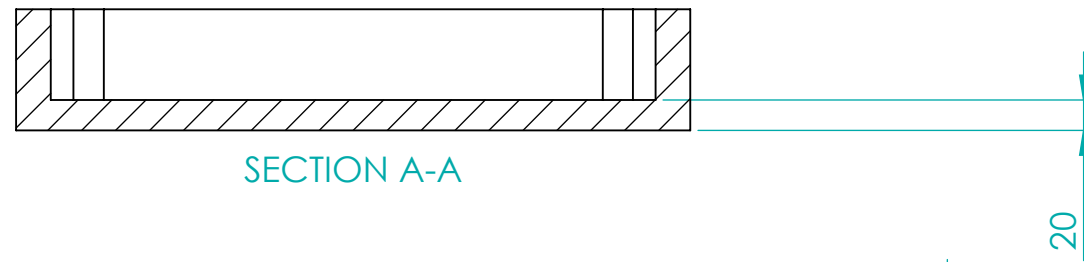
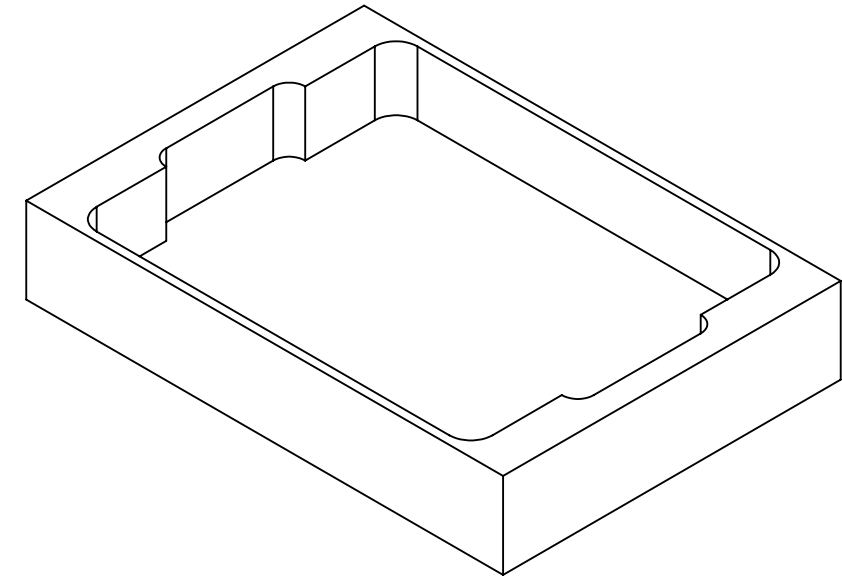
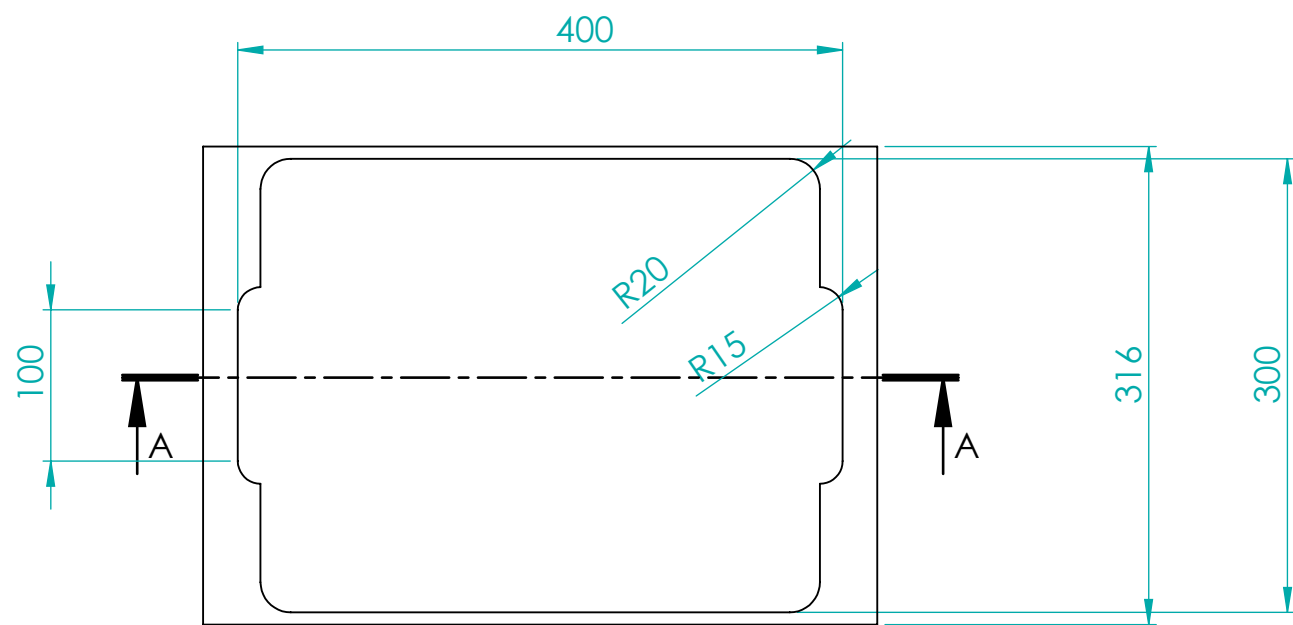
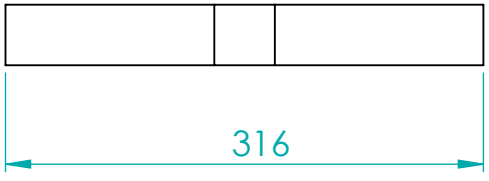
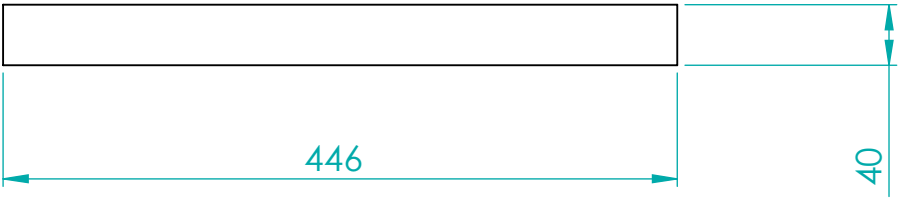
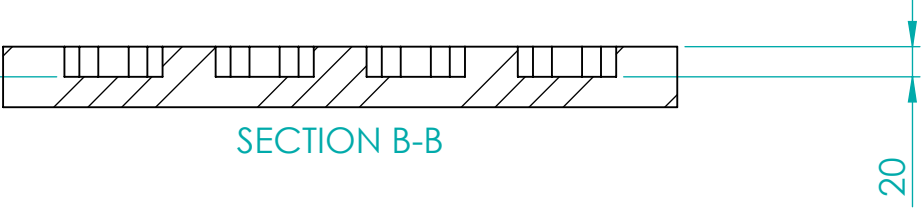
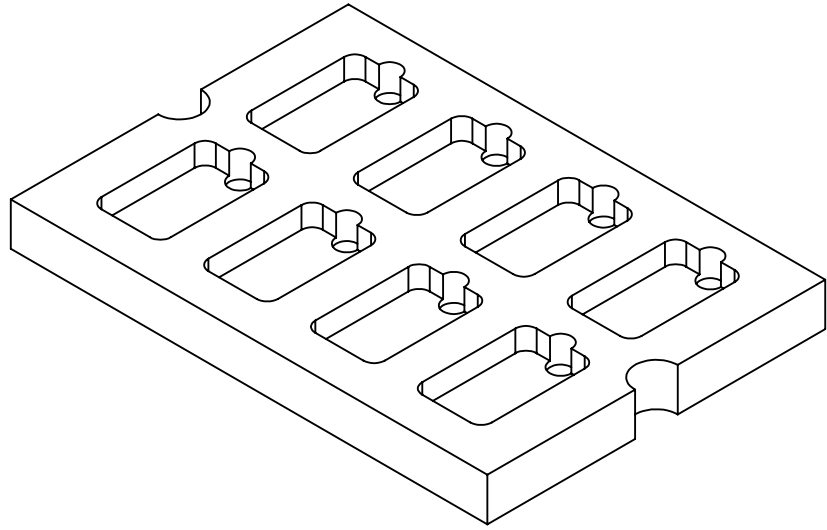
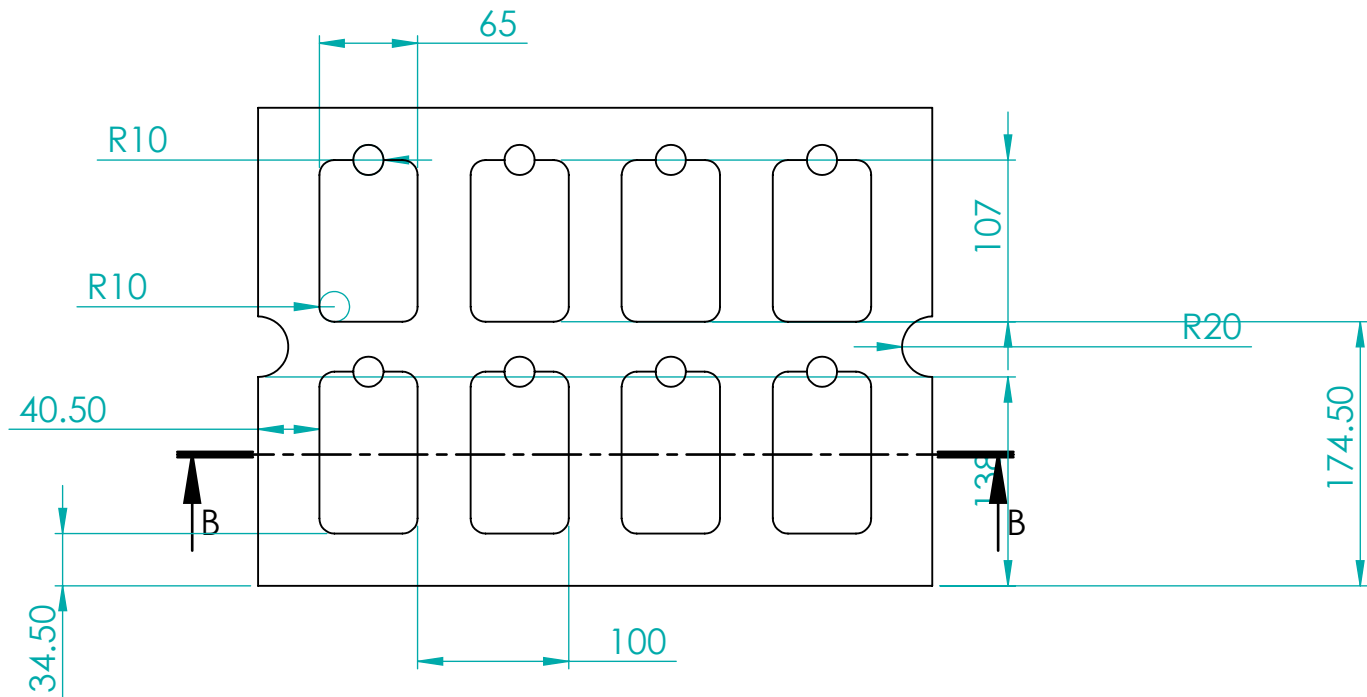


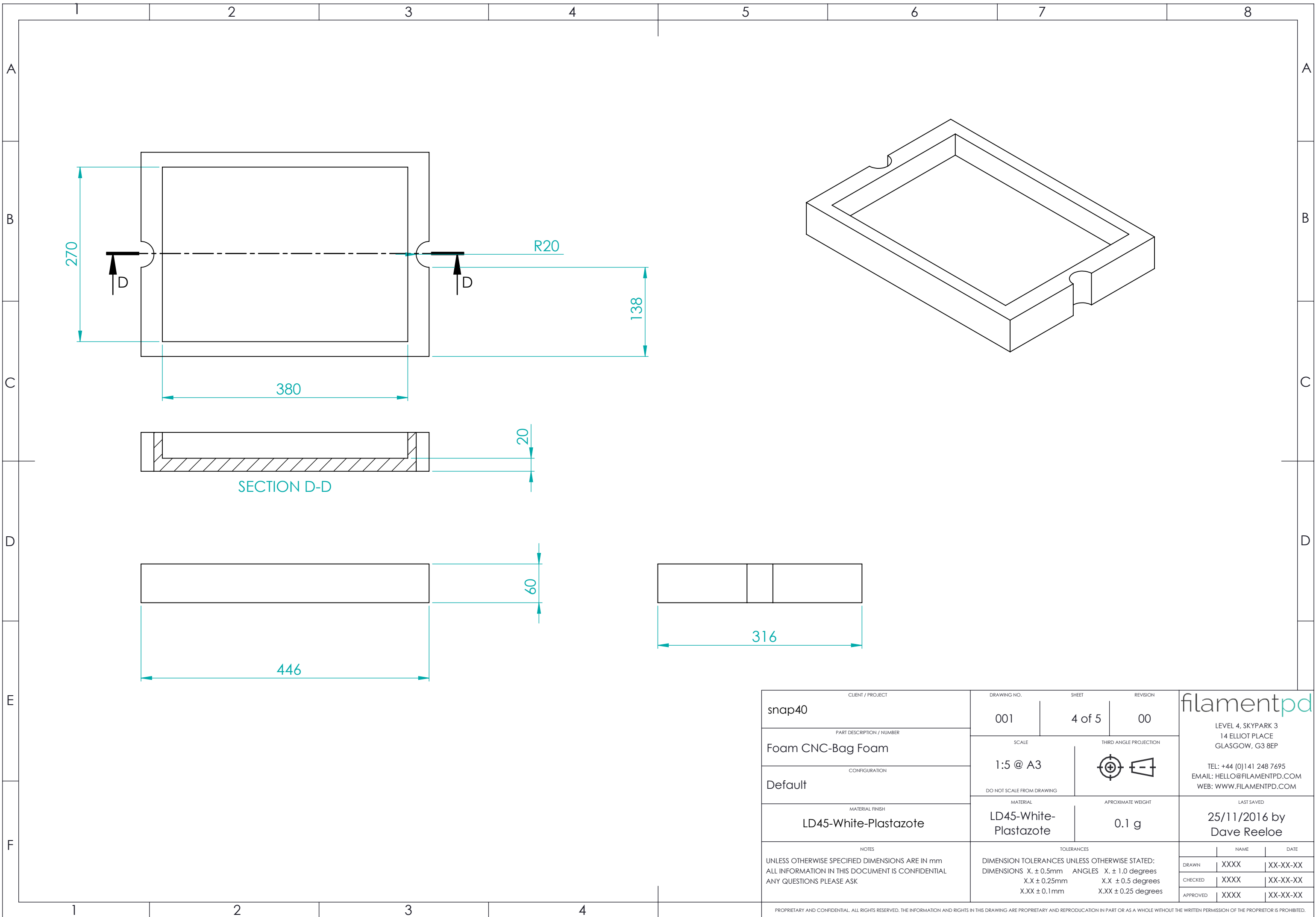
| CLIENT / PROJECT snap40 | DRAWING NO. 001 | SHEET 1 of 5 | REVISION 00 | <p>LEVEL 4, SKYPARK 3 14 ELLIOT PLACE GLASGOW, G3 8EP</p> <p>TEL: +44 (0)141 248 7695 EMAIL: HELLO@FILAMENTPD.COM WEB: WWW.FILAMENTPD.COM</p> | | | | | | | | | | | | |
|---|--|----------------------------|---|---|--|------|------|-------|------|----------|---------|------|----------|----------|------|----------|
| PART DESCRIPTION / NUMBER Foam CNC | SCALE 1:5 @ A3 | THIRD ANGLE PROJECTION | | | | | | | | | | | | | | |
| CONFIGURATION Default | DO NOT SCALE FROM DRAWING | | MATERIAL LD45-White-Plastazote | APPROXIMATE WEIGHT 0.3 g | | | | | | | | | | | | |
| MATERIAL FINISH LD45-White-Plastazote | NOTES UNLESS OTHERWISE SPECIFIED DIMENSIONS ARE IN mm ALL INFORMATION IN THIS DOCUMENT IS CONFIDENTIAL ANY QUESTIONS PLEASE ASK | | TOLERANCES DIMENSION TOLERANCES UNLESS OTHERWISE STATED: DIMENSIONS X, ± 0.5mm ANGLES X, ± 1.0 degrees X.X ± 0.25mm X.X ± 0.5 degrees X.XX ± 0.1mm X.XX ± 0.25 degrees | | | | | | | | | | | | | |
| | | | | LAST SAVED 25/11/2016 by Dave Reeloe | | | | | | | | | | | | |
| | | | | <table border="1"> <thead> <tr> <th></th> <th>NAME</th> <th>DATE</th> </tr> </thead> <tbody> <tr> <td>DRAWN</td> <td>XXXX</td> <td>XX-XX-XX</td> </tr> <tr> <td>CHECKED</td> <td>XXXX</td> <td>XX-XX-XX</td> </tr> <tr> <td>APPROVED</td> <td>XXXX</td> <td>XX-XX-XX</td> </tr> </tbody> </table> | | NAME | DATE | DRAWN | XXXX | XX-XX-XX | CHECKED | XXXX | XX-XX-XX | APPROVED | XXXX | XX-XX-XX |
| | NAME | DATE | | | | | | | | | | | | | | |
| DRAWN | XXXX | XX-XX-XX | | | | | | | | | | | | | | |
| CHECKED | XXXX | XX-XX-XX | | | | | | | | | | | | | | |
| APPROVED | XXXX | XX-XX-XX | | | | | | | | | | | | | | |



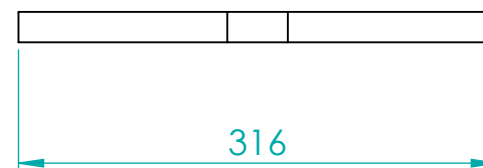
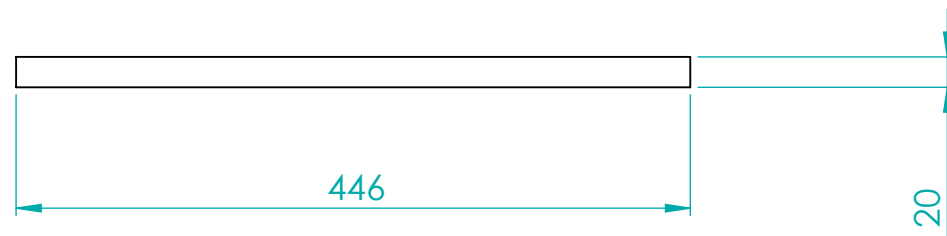
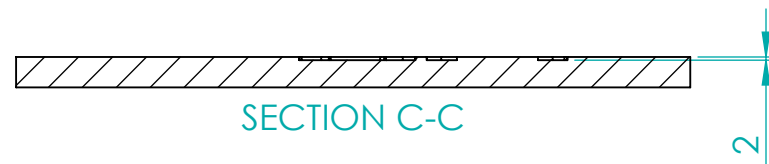
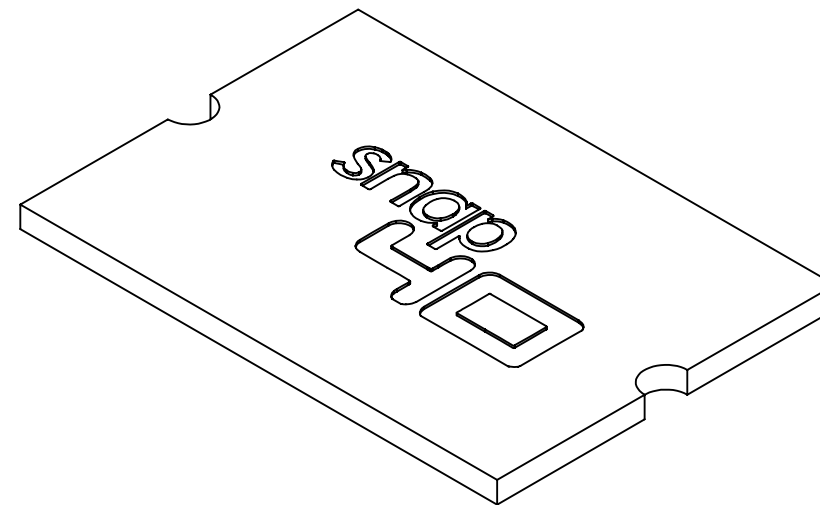
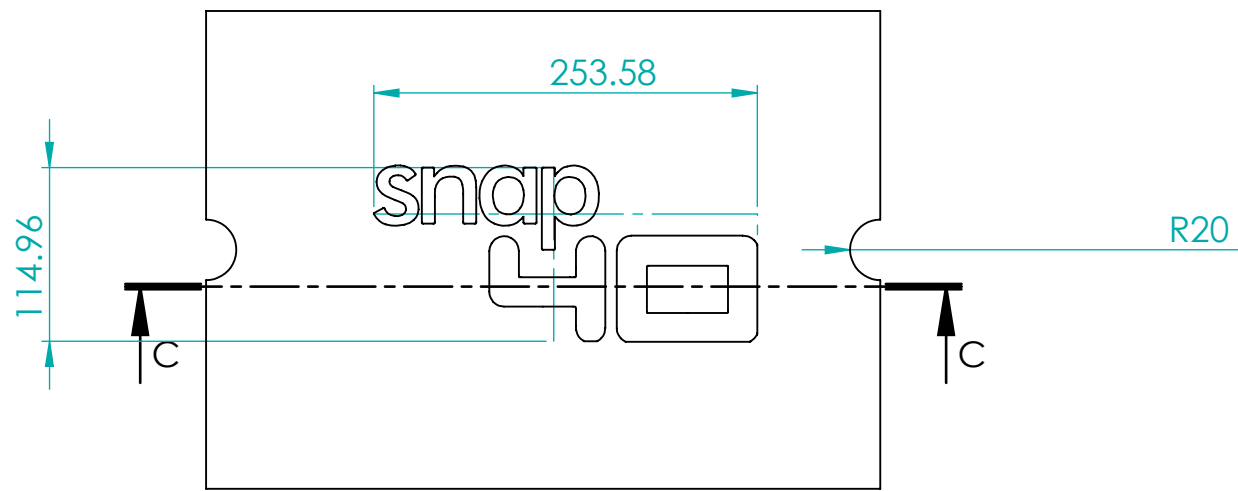
| CLIENT / PROJECT snap40 | DRAWING NO. 001 | SHEET 2 of 5 | REVISION 00 | <p>LEVEL 4, SKYPARK 3 14 ELLIOT PLACE GLASGOW, G3 8EP</p> <p>TEL: +44 (0)141 248 7695 EMAIL: HELLO@FILAMENTPD.COM WEB: WWW.FILAMENTPD.COM</p> | | | | | | | | | | | | |
|---|--|--|---|---|------|------|-------|------|----------|---------|------|----------|----------|------|----------|--|
| PART DESCRIPTION / NUMBER Foam CNC-Charging Station Foam | SCALE 1:5 @ A3 | THIRD ANGLE PROJECTION | | | | | | | | | | | | | | |
| CONFIGURATION Default | DO NOT SCALE FROM DRAWING | MATERIAL LD45-White-Plastazote | APPROXIMATE WEIGHT 0.1 g | | | | | | | | | | | | | |
| MATERIAL FINISH LD45-White-Plastazote | NOTES UNLESS OTHERWISE SPECIFIED DIMENSIONS ARE IN mm ALL INFORMATION IN THIS DOCUMENT IS CONFIDENTIAL ANY QUESTIONS PLEASE ASK | | TOLERANCES DIMENSION TOLERANCES UNLESS OTHERWISE STATED: DIMENSIONS X, ± 0.5mm ANGLES X, ± 1.0 degrees X.X ± 0.25mm X.X ± 0.5 degrees X.XX ± 0.1mm X.XX ± 0.25 degrees | | | | | | | | | | | | | |
| <table border="1"> <thead> <tr> <th></th> <th>NAME</th> <th>DATE</th> </tr> </thead> <tbody> <tr> <td>DRAWN</td> <td>XXXX</td> <td>XX-XX-XX</td> </tr> <tr> <td>CHECKED</td> <td>XXXX</td> <td>XX-XX-XX</td> </tr> <tr> <td>APPROVED</td> <td>XXXX</td> <td>XX-XX-XX</td> </tr> </tbody> </table> | | | | | NAME | DATE | DRAWN | XXXX | XX-XX-XX | CHECKED | XXXX | XX-XX-XX | APPROVED | XXXX | XX-XX-XX | <p>LAST SAVED 25/11/2016 by Dave Reeloe</p> |
| | NAME | DATE | | | | | | | | | | | | | | |
| DRAWN | XXXX | XX-XX-XX | | | | | | | | | | | | | | |
| CHECKED | XXXX | XX-XX-XX | | | | | | | | | | | | | | |
| APPROVED | XXXX | XX-XX-XX | | | | | | | | | | | | | | |
| <small>PROPRIETARY AND CONFIDENTIAL. ALL RIGHTS RESERVED. THE INFORMATION AND RIGHTS IN THIS DRAWING ARE PROPRIETARY AND REPRODUCTION IN PART OR AS A WHOLE WITHOUT THE WRITTEN PERMISSION OF THE PROPRIETOR IS PROHIBITED.</small> | | | | | | | | | | | | | | | | |

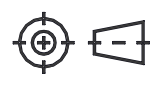


| CLIENT / PROJECT snap40 | DRAWING NO. 001 | SHEET 3 of 5 | REVISION 00 | <p>LEVEL 4, SKYPARK 3 14 ELLIOT PLACE GLASGOW, G3 8EP</p> <p>TEL: +44 (0)141 248 7695 EMAIL: HELLO@FILAMENTPD.COM WEB: WWW.FILAMENTPD.COM</p> | | | | | | | | | | | | |
|--|--|----------------------------|---|---|--|------|------|-------|------|----------|---------|------|----------|----------|------|----------|
| PART DESCRIPTION / NUMBER Foam CNC-Device Foam | SCALE 1:5 @ A3 | THIRD ANGLE PROJECTION | | | | | | | | | | | | | | |
| CONFIGURATION Default | DO NOT SCALE FROM DRAWING | | MATERIAL LD45-White-Plastazote | APPROXIMATE WEIGHT 4.5 g | | | | | | | | | | | | |
| MATERIAL FINISH LD45-White-Plastazote | NOTES UNLESS OTHERWISE SPECIFIED DIMENSIONS ARE IN mm ALL INFORMATION IN THIS DOCUMENT IS CONFIDENTIAL ANY QUESTIONS PLEASE ASK | | TOLERANCES DIMENSION TOLERANCES UNLESS OTHERWISE STATED: DIMENSIONS X, ± 0.5mm ANGLES X, ± 1.0 degrees X.X ± 0.25mm X.X ± 0.5 degrees X.XX ± 0.1mm X.XX ± 0.25 degrees | | | | | | | | | | | | | |
| | | | | LAST SAVED 25/11/2016 by Dave Reeloe | | | | | | | | | | | | |
| | | | | <table border="1"> <thead> <tr> <th></th> <th>NAME</th> <th>DATE</th> </tr> </thead> <tbody> <tr> <td>DRAWN</td> <td>XXXX</td> <td>XX-XX-XX</td> </tr> <tr> <td>CHECKED</td> <td>XXXX</td> <td>XX-XX-XX</td> </tr> <tr> <td>APPROVED</td> <td>XXXX</td> <td>XX-XX-XX</td> </tr> </tbody> </table> | | NAME | DATE | DRAWN | XXXX | XX-XX-XX | CHECKED | XXXX | XX-XX-XX | APPROVED | XXXX | XX-XX-XX |
| | NAME | DATE | | | | | | | | | | | | | | |
| DRAWN | XXXX | XX-XX-XX | | | | | | | | | | | | | | |
| CHECKED | XXXX | XX-XX-XX | | | | | | | | | | | | | | |
| APPROVED | XXXX | XX-XX-XX | | | | | | | | | | | | | | |



| CLIENT / PROJECT | DRAWING NO. | SHEET | REVISION | <p>LEVEL 4, SKYPARK 3 14 ELLIOT PLACE GLASGOW, G3 8EP</p> <p>TEL: +44 (0)141 248 7695 EMAIL: HELLO@FILAMENTPD.COM WEB: WWW.FILAMENTPD.COM</p> | | | | | | | | | | | |
|---|--|------------------------|---|---|--|------|------|-------|------|----------|---------|------|----------|----------|------|
| Part Description / Number | 001 | 4 of 5 | 00 | | | | | | | | | | | | |
| Configuration | Scale | THIRD ANGLE PROJECTION | | | | | | | | | | | | | |
| Material Finish | 1:5 @ A3 | | | | | | | | | | | | | | |
| Material | LD45-White-Plastazote | APPROXIMATE WEIGHT | | <p>LAST SAVED</p> <p>25/11/2016 by Dave Reeloe</p> | | | | | | | | | | | |
| Notes | LD45-White-Plastazote | 0.1 g | | | | | | | | | | | | | |
| <p>UNLESS OTHERWISE SPECIFIED DIMENSIONS ARE IN mm</p> <p>ALL INFORMATION IN THIS DOCUMENT IS CONFIDENTIAL</p> <p>ANY QUESTIONS PLEASE ASK</p> | <p>TOLERANCES</p> <p>DIMENSION TOLERANCES UNLESS OTHERWISE STATED:</p> <p>DIMENSIONS X, ± 0.5mm ANGLES X, ± 1.0 degrees</p> <p>X.X ± 0.25mm X.X ± 0.5 degrees</p> <p>X.XX ± 0.1mm X.XX ± 0.25 degrees</p> | | <table border="1"> <thead> <tr> <th></th> <th>NAME</th> <th>DATE</th> </tr> </thead> <tbody> <tr> <td>DRAWN</td> <td>XXXX</td> <td>XX-XX-XX</td> </tr> <tr> <td>CHECKED</td> <td>XXXX</td> <td>XX-XX-XX</td> </tr> <tr> <td>APPROVED</td> <td>XXXX</td> <td>XX-XX-XX</td> </tr> </tbody> </table> | | | NAME | DATE | DRAWN | XXXX | XX-XX-XX | CHECKED | XXXX | XX-XX-XX | APPROVED | XXXX |
| | NAME | DATE | | | | | | | | | | | | | |
| DRAWN | XXXX | XX-XX-XX | | | | | | | | | | | | | |
| CHECKED | XXXX | XX-XX-XX | | | | | | | | | | | | | |
| APPROVED | XXXX | XX-XX-XX | | | | | | | | | | | | | |
| <p>PROPRIETARY AND CONFIDENTIAL. ALL RIGHTS RESERVED. THE INFORMATION AND RIGHTS IN THIS DRAWING ARE PROPRIETARY AND REPRODUCTION IN PART OR AS A WHOLE WITHOUT THE WRITTEN PERMISSION OF THE PROPRIETOR IS PROHIBITED.</p> | | | | | | | | | | | | | | | |



| CLIENT / PROJECT snap40 | DRAWING NO. 001 | SHEET 5 of 5 | REVISION 00 | filamentpd LEVEL 4, SKYPARK 3 14 ELLIOT PLACE GLASGOW, G3 8EP TEL: +44 (0)141 248 7695 EMAIL: HELLO@FILAMENTPD.COM WEB: WWW.FILAMENTPD.COM | | | | | | | | | | | | |
|---|--|---|---|---|--|------|------|-------|------|----------|---------|------|----------|----------|------|----------|
| PART DESCRIPTION / NUMBER Foam CNC-Snap40 Cover | SCALE 1:5 @ A3 | THIRD ANGLE PROJECTION  | | | | | | | | | | | | | | |
| CONFIGURATION Default | DO NOT SCALE FROM DRAWING | | MATERIAL LD45-White-Plastazote | APPROXIMATE WEIGHT 0.0 g | | | | | | | | | | | | |
| MATERIAL FINISH LD45-White-Plastazote | NOTES UNLESS OTHERWISE SPECIFIED DIMENSIONS ARE IN mm ALL INFORMATION IN THIS DOCUMENT IS CONFIDENTIAL ANY QUESTIONS PLEASE ASK | | TOLERANCES DIMENSION TOLERANCES UNLESS OTHERWISE STATED: DIMENSIONS X, ± 0.5mm ANGLES X, ± 1.0 degrees X.X ± 0.25mm X.X ± 0.5 degrees X.XX ± 0.1mm X.XX ± 0.25 degrees | | | | | | | | | | | | | |
| | | | | LAST SAVED 25/11/2016 by Dave Reeloe | | | | | | | | | | | | |
| | | | | <table border="1"> <thead> <tr> <th></th> <th>NAME</th> <th>DATE</th> </tr> </thead> <tbody> <tr> <td>DRAWN</td> <td>XXXX</td> <td>XX-XX-XX</td> </tr> <tr> <td>CHECKED</td> <td>XXXX</td> <td>XX-XX-XX</td> </tr> <tr> <td>APPROVED</td> <td>XXXX</td> <td>XX-XX-XX</td> </tr> </tbody> </table> | | NAME | DATE | DRAWN | XXXX | XX-XX-XX | CHECKED | XXXX | XX-XX-XX | APPROVED | XXXX | XX-XX-XX |
| | NAME | DATE | | | | | | | | | | | | | | |
| DRAWN | XXXX | XX-XX-XX | | | | | | | | | | | | | | |
| CHECKED | XXXX | XX-XX-XX | | | | | | | | | | | | | | |
| APPROVED | XXXX | XX-XX-XX | | | | | | | | | | | | | | |