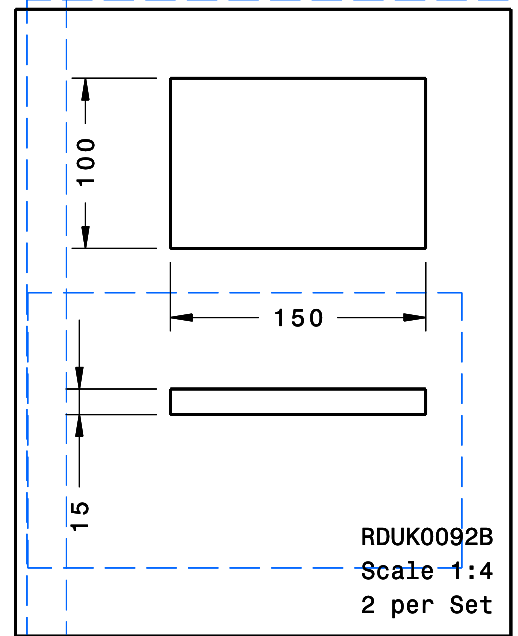
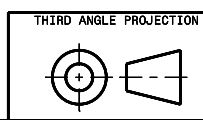
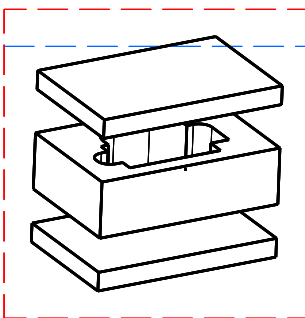


RDUK0092A
Scale 1:2
1 per Set



RDUK0092B
Scale 1:4
2 per Set



QUANTITY REQUIRED		PART OR IDENTIFYING NO		NOMENCLATURE OR DESCRIPTION		CAGE CODE		ZONE LCTN		ITEM NO	
CONFIGURATION NUMBER		PARTS LIST									
DO NOT SCALE DRAWING		UNLESS OTHERWISE SPECIFIED DIMENSIONS ARE IN MILLIMETRES		FLUID SYSTEMS DIVISION PARKER AEROSPACE GROUP PARKER HANNIFIN CORPORATION, R&D, BRISTOL, UK							
INTERPRET PER ES1-1 DIMENSIONS AND TOLERANCING PER ASME Y14.5M-1994 MACHINED SURFACE 125Ra PER ASME B46.1 CLASSIFICATION OF CHARACTERISTICS PER Y30-EN6-011		TOLERANCES (No Decimal)±0.5 (0)±.2 (∠)±0.5°		MATERIAL		PREP		G. DIAZ		000000	
		FOAM		CHK		NAME		000000		FOAM INSERTS SET	
		FINISH		DSGN		NAME		000000			
		AS CUT		PROJ		NAME		000000			
		HEAT TREAT		APVD		NAME		000000			
NEXT ASSY		USED ON		CONTRACT NO		N/A		SCALE 2:1		REV -	
APPLICATION (NOT MAINTAINED)				PROGRAM		N/A		UNIT WT		SHEET 1 OF 1	

DWG NO RDUK 0092

A