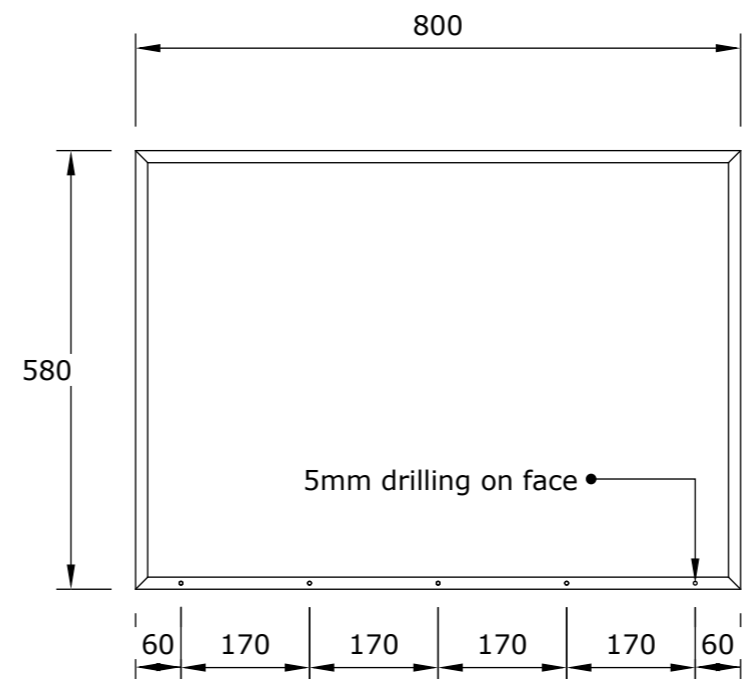
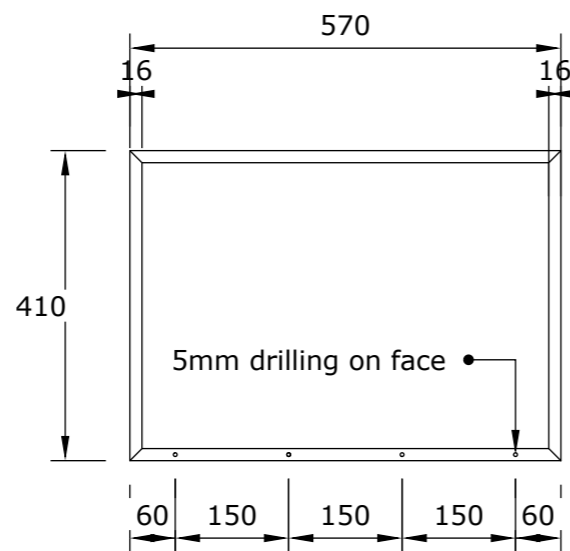
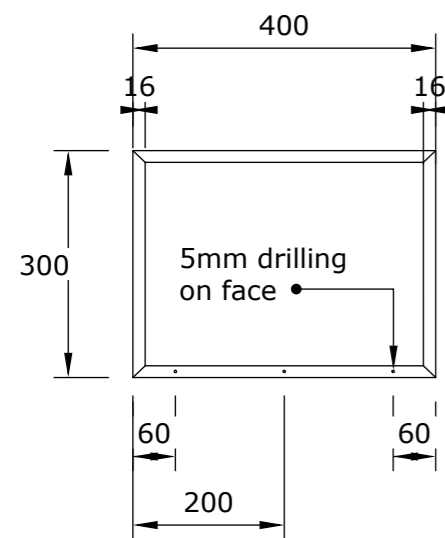


ALL FRAMES MITRED WITH WELDS  
DRESSED FLUSH PRIOR TO POWDER COAT  
NO WELDING ON INSIDE CORNERS



FRONT ELEVATION

SCALE 1:10

DRAWING: BATTERSEA\_04\_EDNA

PROJECT: BATTERSEA RANGE  
DATE: APRIL '17  
REVISION: 00  
ISSUE: FINAL

SPECIFICATION: RAL 9005 SATIN 30% Sheen

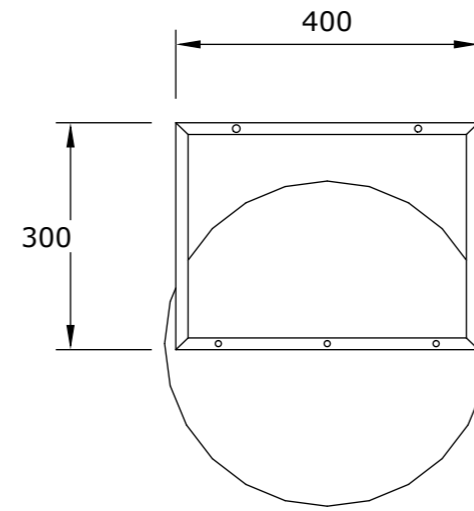
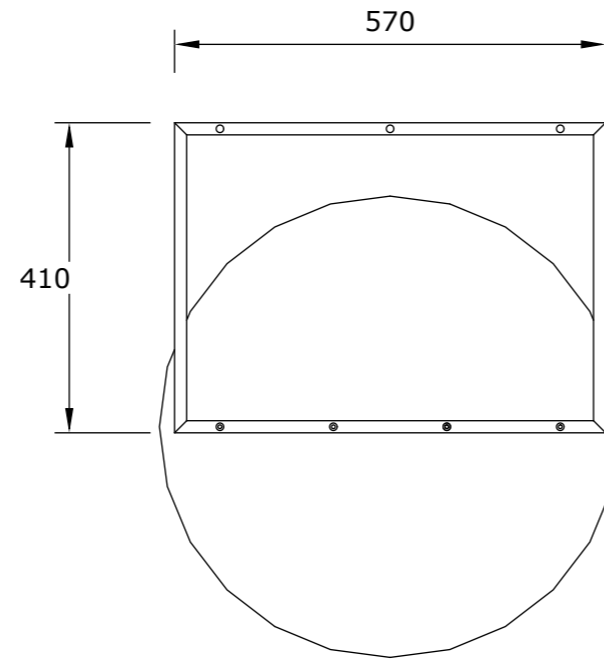
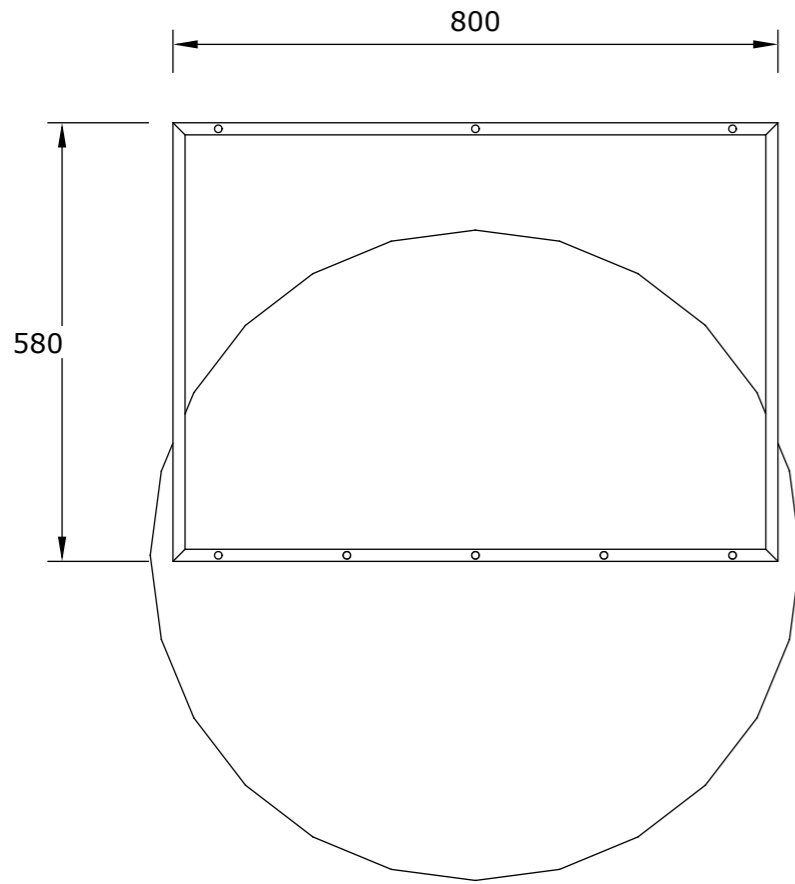
16MM BOX SECTION STEEL

ALL DIMENSIONS TO  
BE CHECKED ON SITE  
ALL DIMENSIONS IN MM

NOTES:

UNLESS OTHERWISE STATED, THIS DRAWING IS  
FOR INFORMATION ONLY

DO NOT SCALE THIS DRAWING.

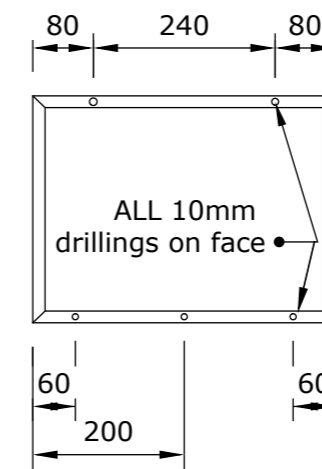
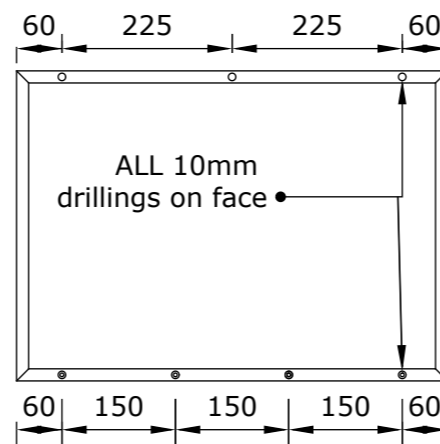
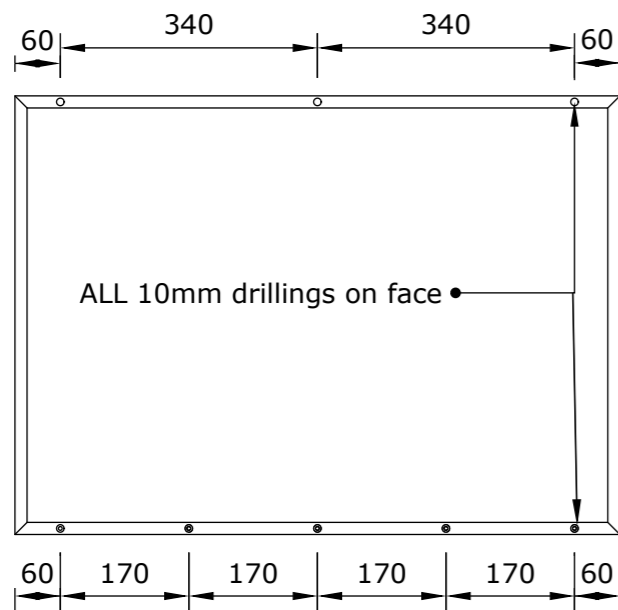


ALL FRAMES MITRED WITH WELDS  
DRESSED FLUSH PRIOR TO POWDER COAT  
NO WELDING ON INSIDE CORNERS

DRAWING: BATTERSEA\_04\_EDNA

PROJECT: BATTERSEA RANGE  
DATE: APRIL '17  
REVISION: 00  
ISSUE: FINAL

SPECIFICATION: RAL 9005 SATIN 30% Sheen  
16MM BOX SECTION STEEL



ALL DIMENSIONS TO  
BE CHECKED ON SITE  
ALL DIMENSIONS IN MM

NOTES:  
UNLESS OTHERWISE STATED, THIS DRAWING IS  
FOR INFORMATION ONLY  
DO NOT SCALE THIS DRAWING.

REAR ELEVATION

SCALE 1:10