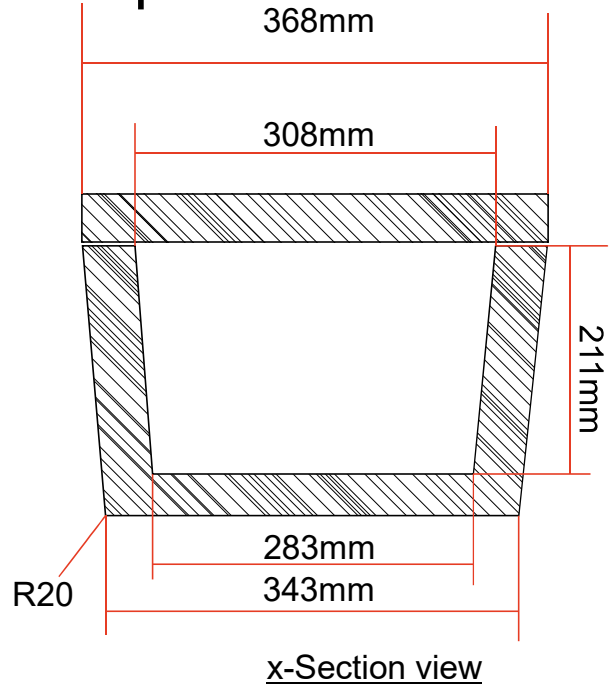
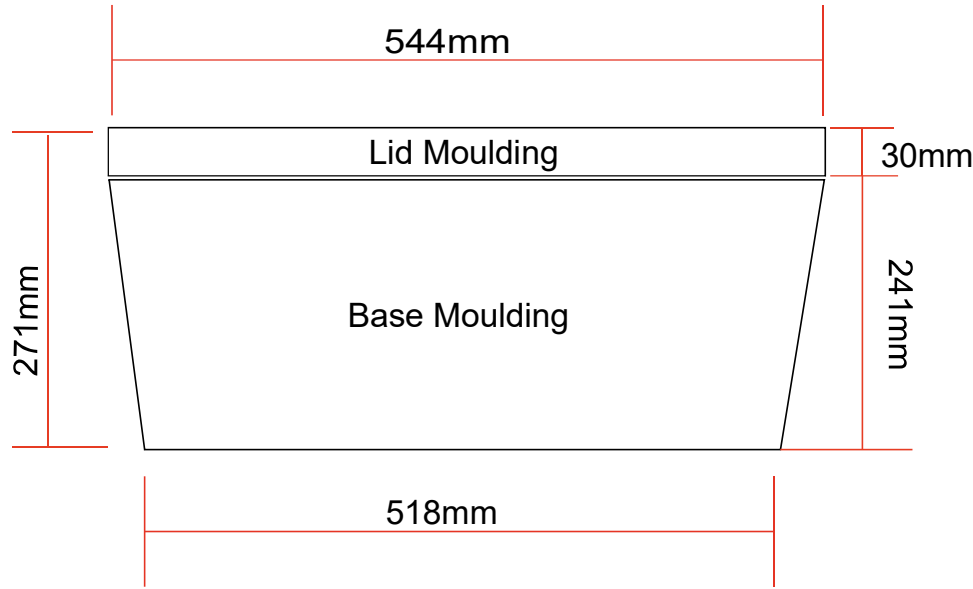


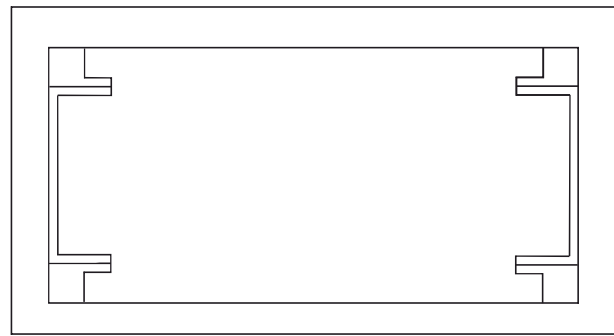
Moulded EPS Box Concept



Material: EPS 20g/Litre

Wall thickness 30mm

Plan view of base



Each internal corner will have a moulded post as illustrated - Details to be defined at a later date

