

4

3

2

1

F

F

E

E

D

D

C

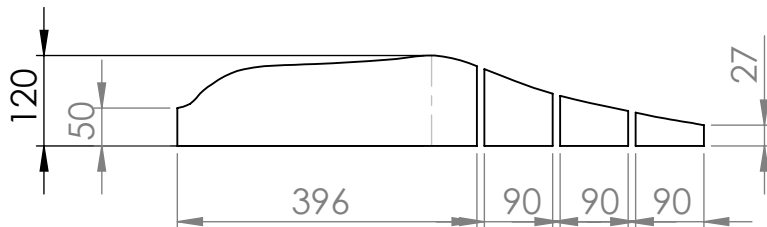
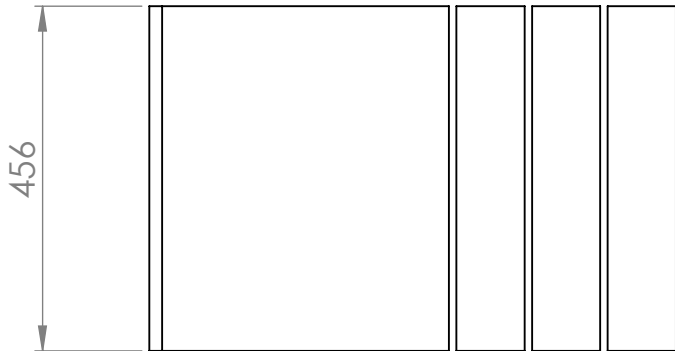
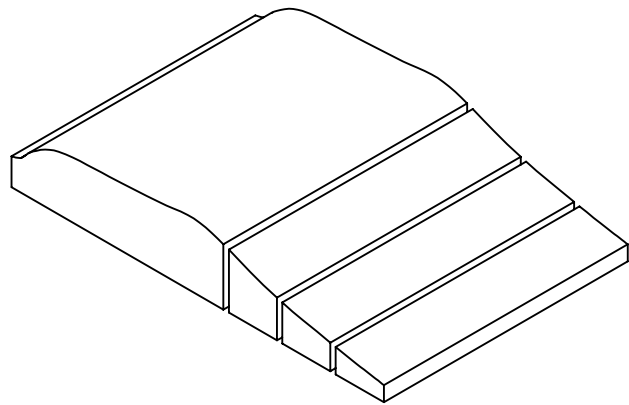
C

B

B

A

A



UNLESS OTHERWISE SPECIFIED:
 DIMENSIONS ARE IN MILLIMETERS
 SURFACE FINISH:
 TOLERANCES:
 LINEAR:
 ANGULAR:

FINISH:

DEBURR AND
BREAK SHARP
EDGES

DO NOT SCALE DRAWING

REVISION

	NAME	SIGNATURE	DATE
DRAWN	T. IRPS		13/03/17
CHK'D			
APPV'D			
MFG			
Q.A			

TITLE: STYROFOAM CURVATURE	
MATERIAL: STYROFOAM	DWG NO. OP_001
WEIGHT:	SCALE:1:10
	SHEET 1 OF 1

A4

4

3

2

1