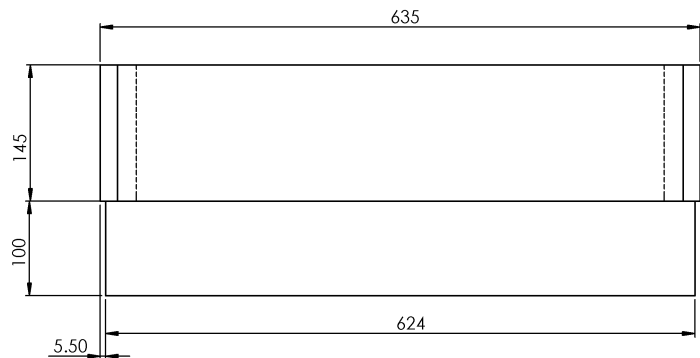
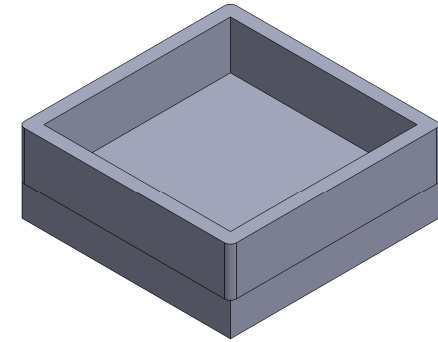
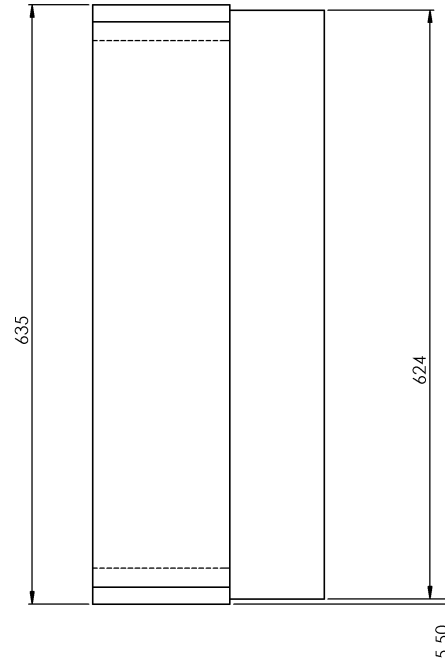
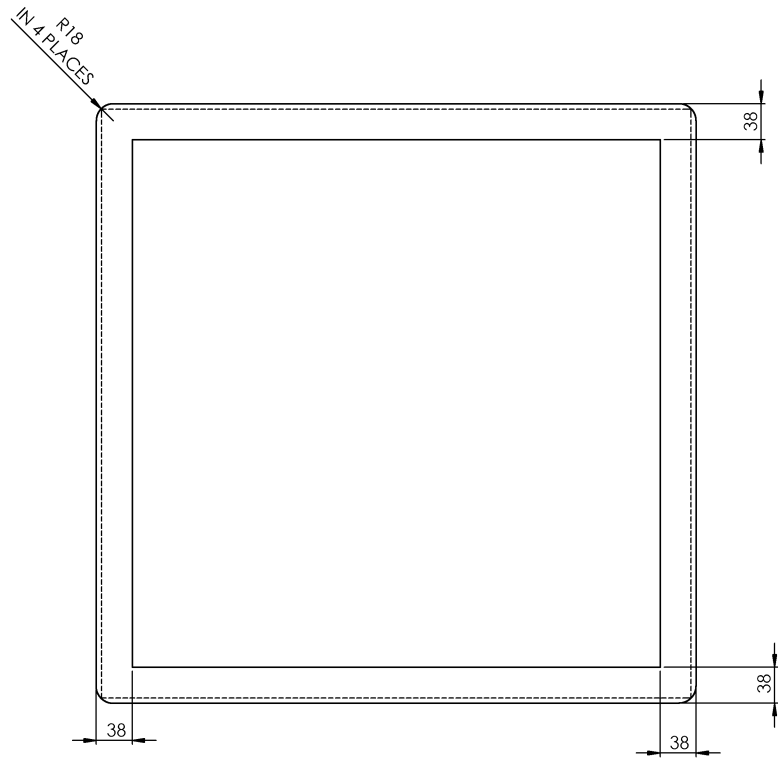
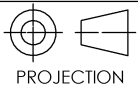


# PART 1 of 3



## ARBOR TECHNOLOGY (UK) LTD

PART NAME: Case Foam		DRAWN BY: NIGEL WEST	
MATERIAL: HLB22		CHECKED BY: PHIL BULL	
FINISH: -		DATE DRAWN: 05/01/2018	
DRAWING No: V-PAN-1689 - Case Foam		DATE MODIFIED: 15/01/2018	
www.arbor-uk.com		ISSUE:	SHEET:
		0.2	1 OF 3

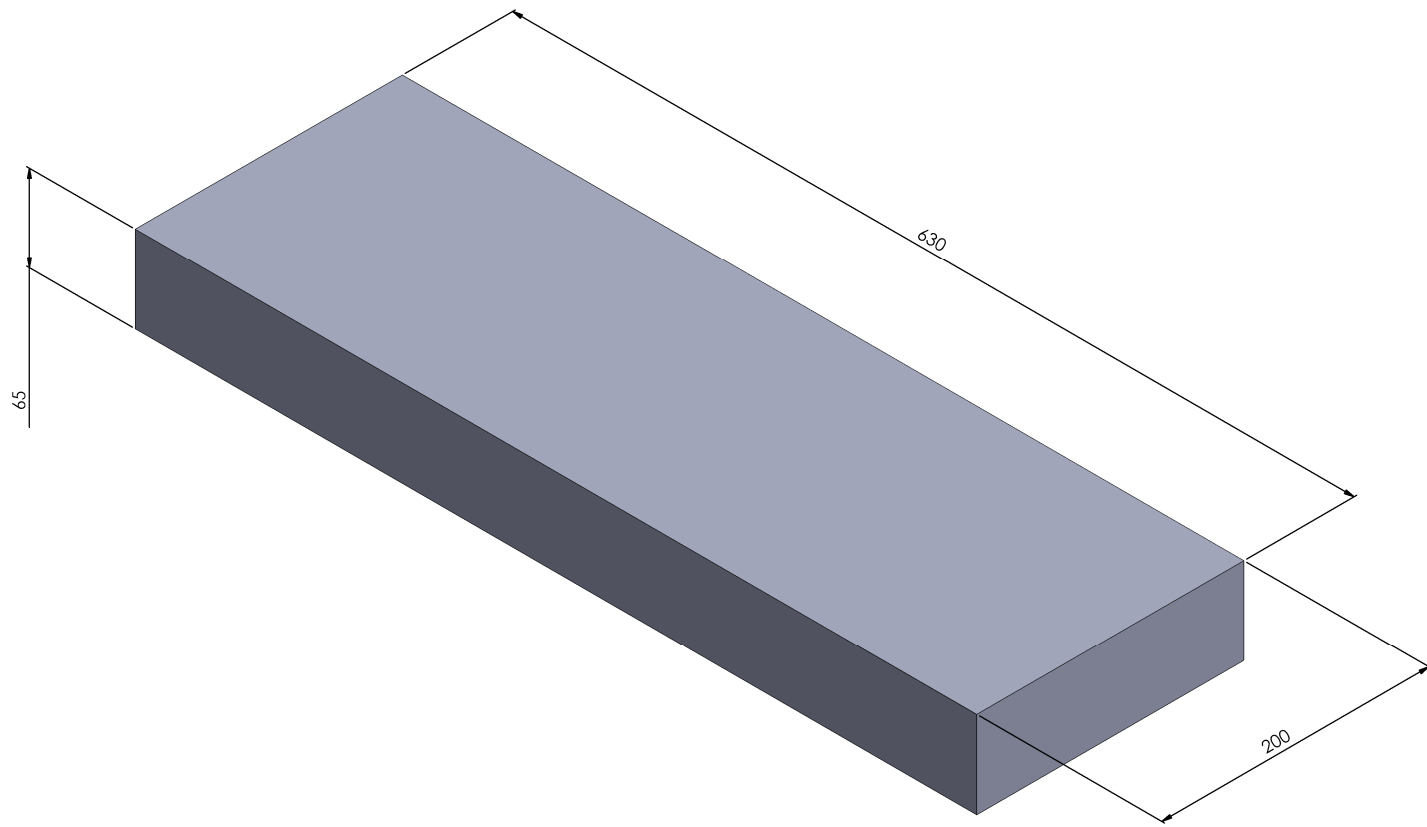


COPYRIGHT ARBOR TECHNOLOGY UK LTD  
UNIT 32, WALKER AVENUE, WOLVERTON MILL,  
MILTON KEYNES, MK12 5TW  
TEL: 01908 310100  
FAX: 01908 310107

DO NOT SCALE DRAWING  
ALL DIMENSIONS IN MILLIMETERS  
UNLESS OTHERWISE STATED

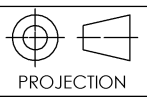
TOLERANCES (UNLESS OTHERWISE STATED)  
+/- 0.1mm

PART 2 of 3



ARBOR TECHNOLOGY (UK) LTD

PART NAME: Case Foam		DRAWN BY: NIGEL WEST	
MATERIAL: HLB22		CHECKED BY: PHIL BULL	
FINISH: -		DATE DRAWN: 05/01/2018	
DRAWING No: V-PAN-1689 - Case Foam		DATE MODIFIED: 15/01/2018	
www.arbor-uk.com		ISSUE: 0.2	SHEET: 2 OF 3



COPYRIGHT ARBOR TECHNOLOGY UK LTD  
 UNIT 32, WALKER AVENUE, WOLVERTON MILL,  
 MILTON KEYNES, MK12 5TW  
 TEL: 01908 310100  
 FAX: 01908 310107

DO NOT SCALE DRAWING  
 ALL DIMENSIONS IN MILLIMETERS  
 UNLESS OTHERWISE STATED

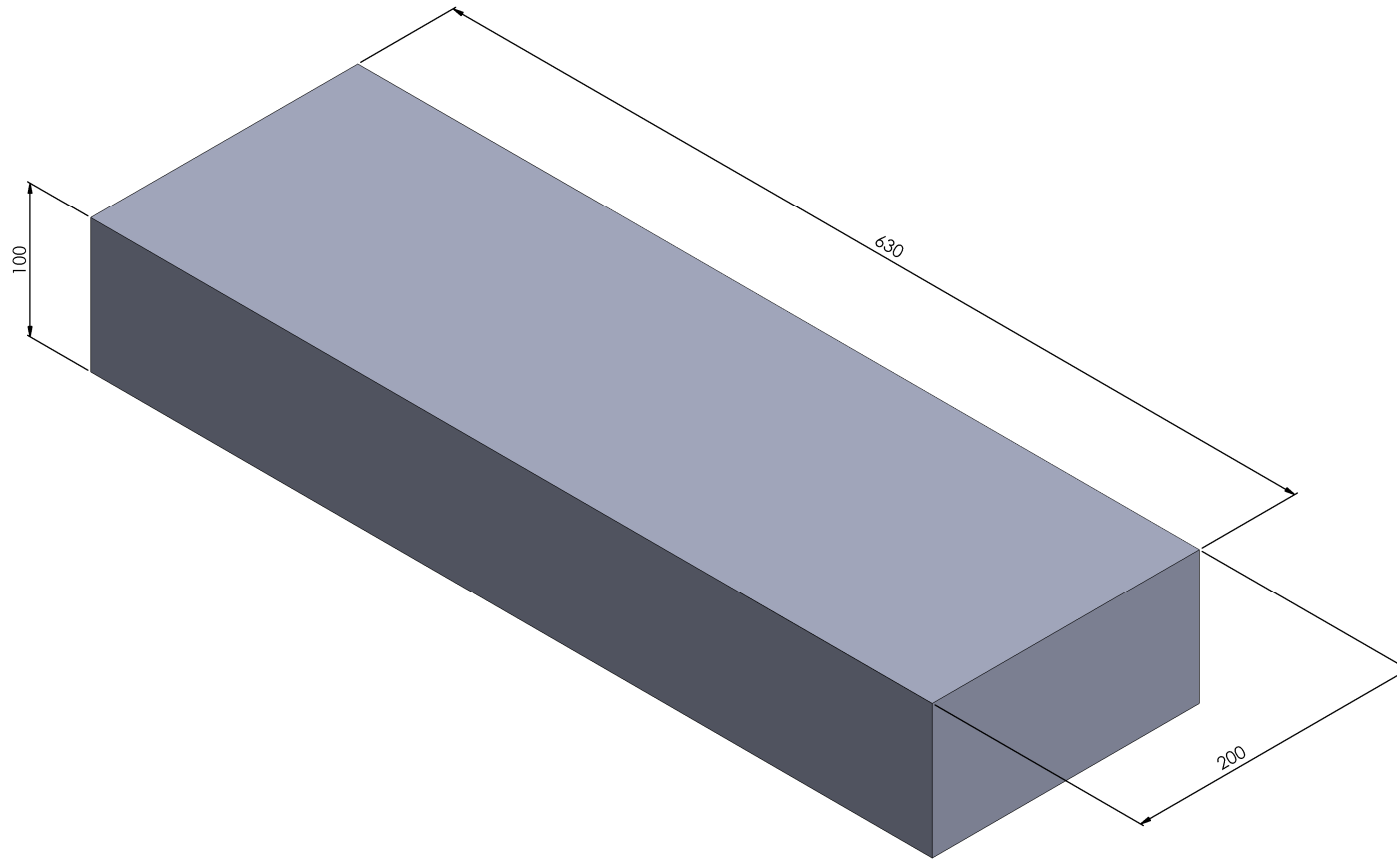
TOLERANCES (UNLESS OTHERWISE STATED)  
 +/- 0.1mm

A  
B  
C  
D  
E  
F

A  
B  
C  
D  
E  
F

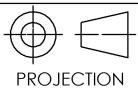
1 2 3 4 5 6 7 8

# PART 3 of 3



## ARBOR TECHNOLOGY (UK) LTD

PART NAME: Case Foam		DRAWN BY: NIGEL WEST	
MATERIAL: HLB22		CHECKED BY: PHIL BULL	
FINISH: -		DATE DRAWN: 05/01/2018	
DRAWING No: V-PAN-1689 - Case Foam		DATE MODIFIED: 15/01/2018	
www.arbor-uk.com		ISSUE:	SHEET:
		0.2	3 OF 3



COPYRIGHT ARBOR TECHNOLOGY UK LTD  
UNIT 32, WALKER AVENUE, WOLVERTON MILL,  
MILTON KEYNES, MK12 5TW  
TEL: 01908 310100  
FAX: 01908 310107

DO NOT SCALE DRAWING  
ALL DIMENSIONS IN MILLIMETERS  
UNLESS OTHERWISE STATED

TOLERANCES (UNLESS OTHERWISE STATED)  
+/- 0.1mm

www.arbor-uk.com

ISSUE: 0.2  
SHEET: 3 OF 3